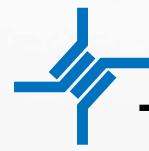


BEST CONTACTS FOR YOUR SUCCESS



Telegärtner

KARL GÄRTNER GMBH

NETWORKING COMPONENTS

COAXIAL CONNECTORS

CABLE ASSEMBLIES

PRECISION TURNED PARTS

PLASTIC INJECTION MOULD PARTS

INDUSTRIAL ELECTRONICS



Coax

SIMFix[®] CA

Connectors for 7/8" corrugated **C**opper and **A**luminium cables

SIMFix® CA Connectors for 7/8" Corrugated Cables

The SIMFix® CA series is a new generation of Telegärtner RF connectors for use with cables with both copper or aluminium outer conductors. As with the well tried and trusted SIMFix® connectors, sealing is achieved through actively compressed O-rings. The SIMFix® CA connectors are

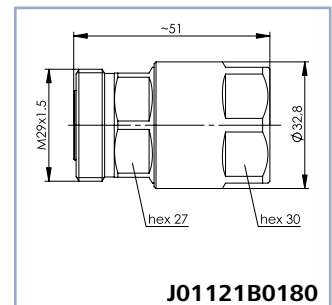
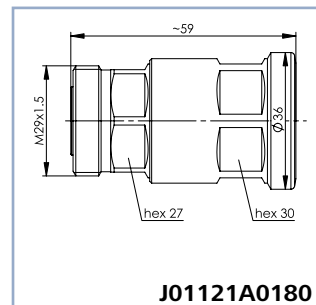
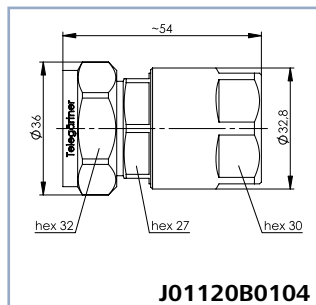
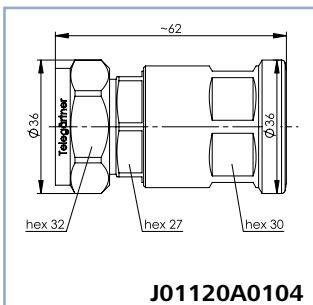
available in the **Pro** (IP68) design, with sealing on the sheath and outer conductor, as well as the **ST** design, with sealing on the outer conductor only (short type), as a more cost-effective alternative.

SIMFix® CA-Pro / SIMFix® CA-ST



Product Characteristics

- For 7/8" corrugated copper and aluminium cable
- Integrated, active compression sealing for protection against moisture ingress
- Designs **Pro (IP68)** with seals between connector and cable sheath as well as between connector and outer conductor, and **ST (IP67)** with seal between connector and outer conductor only
- Compatible with all popular manufacturers' cables
- Simple and reliable assembly
- Excellent electrical characteristics (Return Loss, IMP3)



Order no.	Series	Design	Type	Protection class	Cable Types
J01120A0104	7-16 (DIN)	Plug	SIMFix® CA-Pro	IP68	RFA 7/8"-50, RFA 7/8"-50 AL, RFX 7/8"
J01120B0104	7-16 (DIN)	Plug	SIMFix® CA-ST	IP67	LCF78-50JA, LDF5-50A, AVA 5-50, AL5-50,
J01121A0180	7-16 (DIN)	Jack	SIMFix® CA-Pro	IP68	5228A 7/8"-LD, HPL 50-7/8", HFC 22D,
J01121B0180	7-16 (DIN)	Jack	SIMFix® CA-ST	IP67	Flexline 7/8"R, RF50 7/8"

Tools



Manual tool	Rotating tool	Up-grading kit for manual tool
<ul style="list-style-type: none"> • Cutting the sheath, outer conductor, dielectric and center conductor to size • Burr removal on the center conductor • Flaring the outer conductor • Screw for fine adjustment of the cutting depth 	<ul style="list-style-type: none"> • For cable preparation with electric drill • Cutting the sheath, outer conductor, dielectric, and inner conductor to size • Includes separate tooling for flaring and burr removal 	<ul style="list-style-type: none"> • Adapter with bolt for extending the flare insert of SIMFix® tool (N00091A0014) • Up-graded version suitable for both SIMFix® and SIMFix® CA