

NPB
563

Switchcraft®

The StudioPatch™ 6425



Analog & Digital Audio Workstation Programmable Patchbay

For the first time a professional audio patchbay has been developed to fit the needs of users of both analog and digital audio workstations. The *StudioPatch™ 6425* simply connects to I/O interfaces with common DB25 cables. The *StudioPatch™ 6425* is conveniently laid out with four groups of eight channels of TT (Bantam) jacks. Each group of eight has its own in and out DB25.

Depending on your studio's normaling requirements the *StudioPatch™ 6425* has changeable normals by the turn of a household, flathead screwdriver. For each of the thirty-two channels these normaling positions can be set to either full normal, half normal, or non-normal modes. And yes the *StudioPatch™ 6425* can pass the phantom power that powers your condenser microphones.

Switchcraft® 5555 N. Elston Ave. * Chicago, IL 60630 * 773-792-2700

W W W . S W I T C H C R A F T . C O M

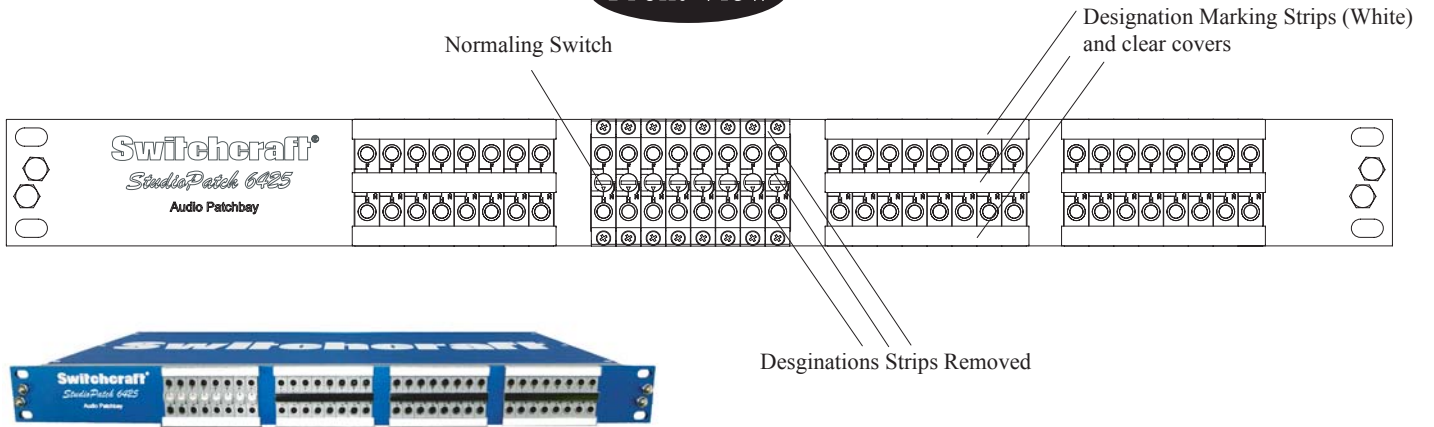


Made and assembled in the
U.S.A.

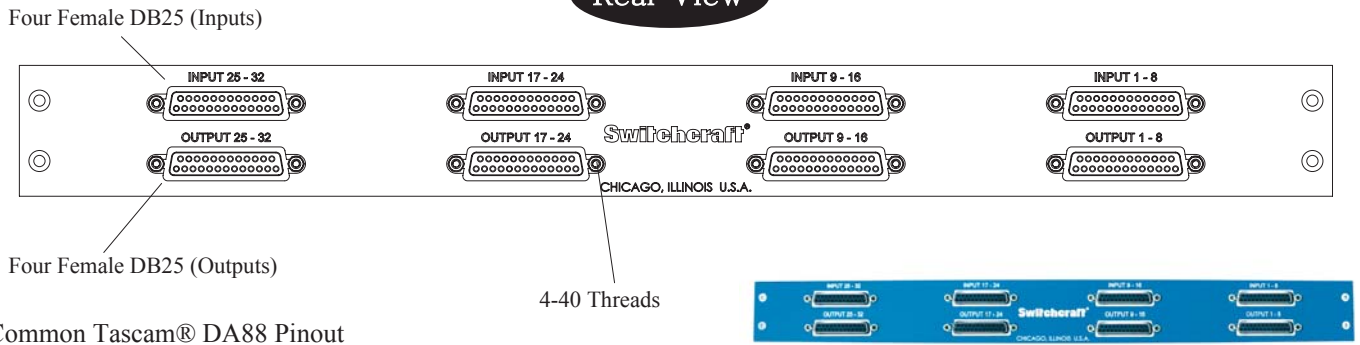
StudioPatch™ 6425

(Order Number TTEZNSP6425)

Front View

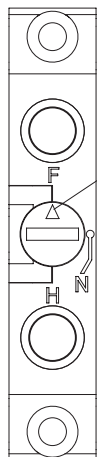


Rear View

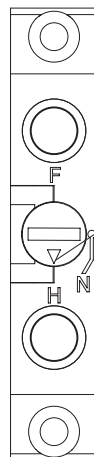


*Common Tascam® DA88 Pinout

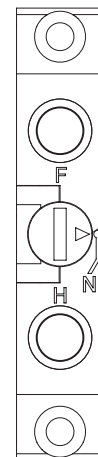
Normalizing Positions (Closeup of Jacks)



Full Normal Position



Half Normal Position



Non-Normal Position

- * Switch the normals to full, non, or half positions from the front with a common household screwdriver
- * Buss grounded for Phantom Power

*Tascam and DA-88 are trademarks of TEAC Corporation.