

Clarke & Severn Electronics

Ph: +612 9482 1944

Email: sales@clarke.com.au



www.cseonline.com.au

ERGONOMIC PENDANT SWITCH WITH CABLE

NEW PRODUCT BULLETIN 618

FEATURES & BENEFITS

- Ergonomic design with large button and positive tactile feedback
- Less than 2 lbs of actuating force required allows for easy operation, even for physically challenged users
- Sturdy thermoplastic housing with yellow elastomer button and strain relief
- Integrated 6' cable with stripped and tinned leads (also available with high-quality overmolded plug, call factory for details)
- Double-redundant circuit offers high reliability for critical application and can also be used as two independent switching circuits
- Rated for a minimum of 100,000 Cycles

APPLICATIONS

- Nurse call switches or infusion pumps
- Traffic control override
- Instruments and electronic controls
- Simulation or academic controllers



Switchcraft®



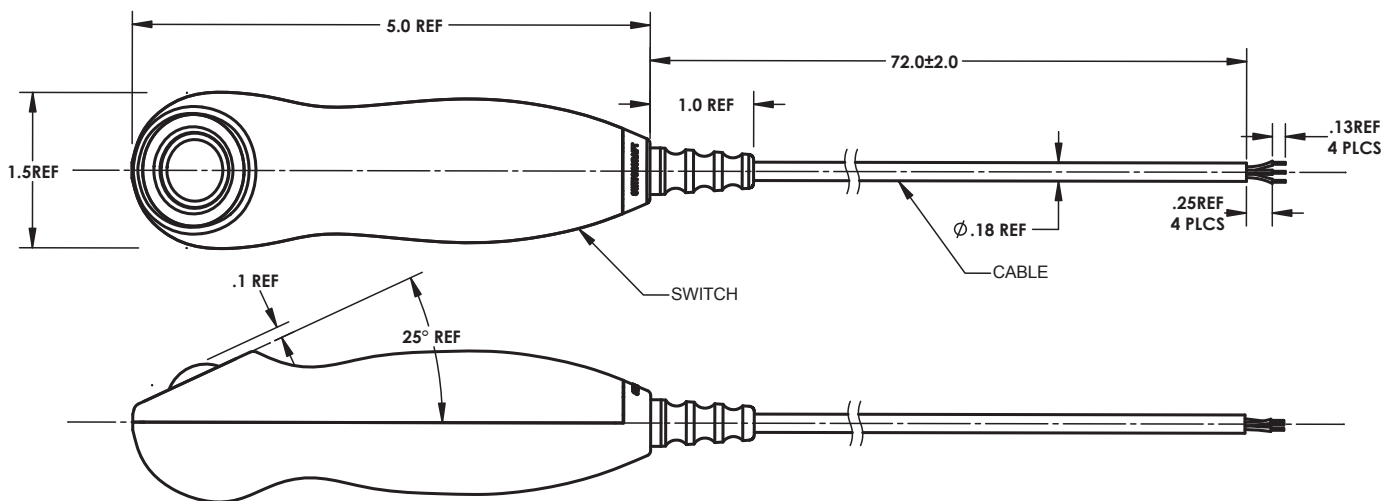
ERGONOMIC PENDANT SWITCH WITH CABLE

NEW PRODUCT BULLETIN 618

PART NUMBERS

E921KA Pendant Cable Assembly, A Circuit (Normally Open)

E921KC Pendant Cable Assembly, C Circuit (Transfer)



SPECIFICATIONS

SWITCH:

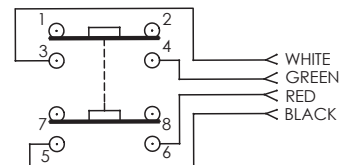
Double pole, double throw
Nominal key travel 0.10 inches
Gold contact finish
Maximum switching current: 250mA
Maximum voltage: 120V
Maximum power: 9 Watts AC, 5 Watts DC
Maximum carrying current: 500mA
Maximum contact resistance: 80mohm
Dielectric withstanding voltage: 1,000 V AC
Operating life: 100,000 cycles
Operating temperature: -25°C to +75°C
Actuating force: Less than 2 lbs

MATERIALS:

Switch housing: Gray thermoplastic
Actuating button: Yellow elastomer
Contacts: Copper alloy, gold plated
Strain relief: Yellow elastomer

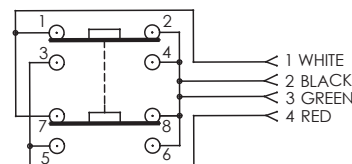
CABLE:

4 conductor
26 AWG Stranded
Gray PVC Jacket
4.5mm OD



WIRING DIAGRAM

E921KA



WIRING DIAGRAM

E921KC

All dimensions are for reference only.

