

SEALED POWER JACK CABLE OVERMOLD

NEW PRODUCT BULLETIN 600

FEATURES & BENEFITS

- Seal is achieved when mated with corresponding sealed plugs, or seal cap
- Meets all requirements of IP-65, IP-66 & IP-67, IP-68, NEMA 250 (6P) Ratings
- Overmold to be used with L712AS and L722AS
- Overmold material rigid PVC.
- RoHS Compliant

APPLICATIONS

- Outdoor power supplies where a weather resistant connection is needed.
- Medical equipment where the power jack would need to be water proof.
- Lighting connections where a rugged harsh environment connector would provide the most reliable sealed connection.



SWITCHCRAFT®

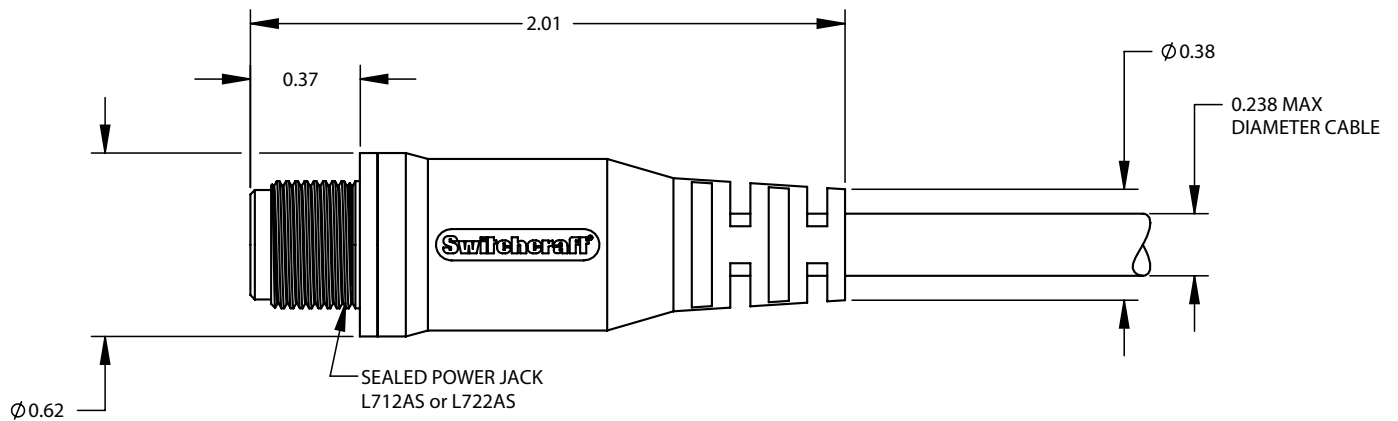
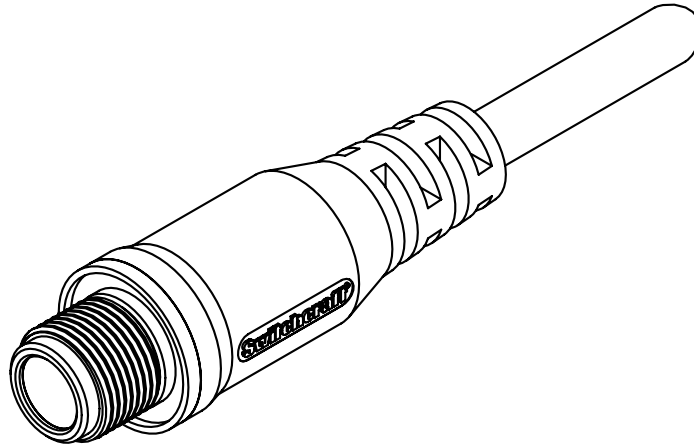
A H E I C O C O M P A N Y



5555 N Elston Ave | Chicago, IL 60630 | P: 773.792.2700 | F: 773.792.2129 | www.switchcraft.com | Made in USA.

SEALED POWER JACK CABLE OVERMOLD

NEW PRODUCT BULLETIN 600



NOTES

1. For panel use order K198 washer and K197 hex nut.
2. For cable to cable, plug ring and jack flange are not flush when mated, assembly will still be sealed.

All dimensions are for reference only.

